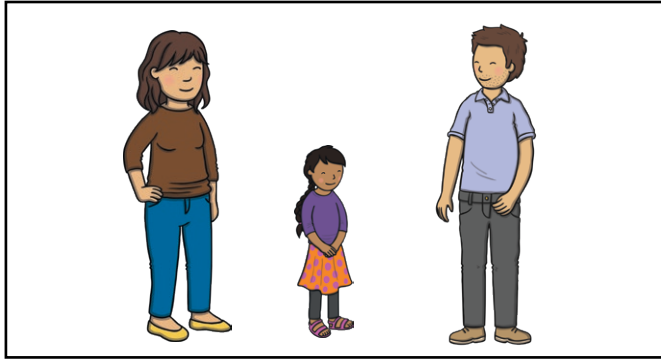


# Disclaimer

We hope you find the information on our website and our resources useful. This story has been created to help children consolidate their recognition of phase 3 sounds. Please be aware that, in order to create a story, it may also contain tricky words from phases 2, 3 and 4. Please also note that some stories contain features of writing introduced in year 1, such as the suffixes -ed and -ing and common exception words. We recommend you familiarise your students with these elements before allowing them to read the texts independently.

# Beth and Cath



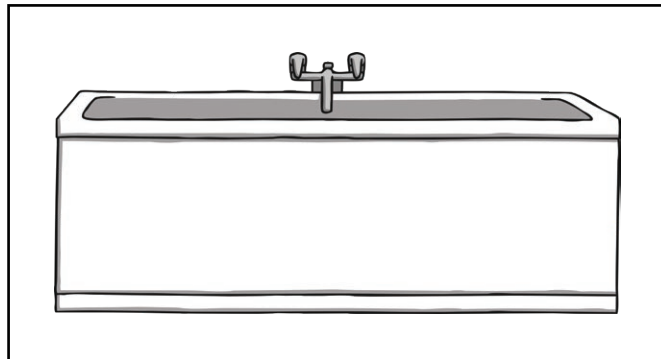
Beth has a mum and a dad.  
Her mum is Thelma and her  
dad is Seth.



Beth is three and she has fun. She  
has fun in her bedroom with her  
things. Her best thing is a doll.  
Cath is the doll.



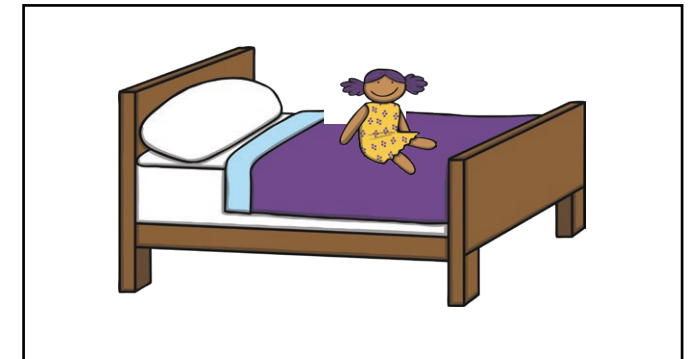
She has thick hair and it is soft.



At night, she gets in the bath.



After the bath, her mum helps her  
to brush her teeth.



Then, she sleeps in her bed with  
her doll, Cath.